



Completed by
H-BAU Technik (s.-no.)



ORDER FORM

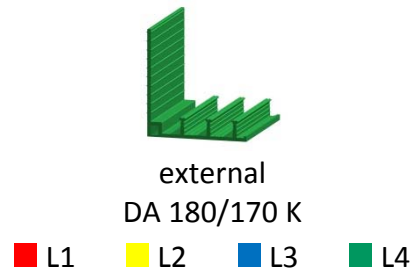
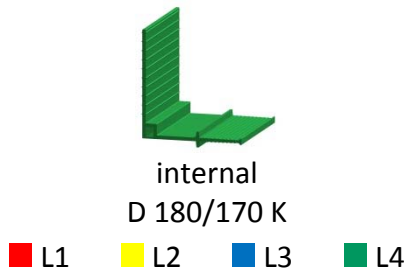
KUNEX® flanged solution

BK32

Rev. 00 from: 2017-08-25

Client:	Project:
Com.:	Element:

Planged joint tape, according to DIN 18541-2



Dimensions

- L1 = _____ mm
- L2 = _____ mm
- L3 = _____ mm
- L4 = _____ mm

Joint tape requirements

- bitumen-compatible (BV)
- not bitumen-compatible (NB)

Number

_____ pieces

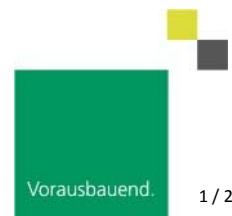
manufacturing tolerances according to
DIN 16941 and DIN 18020 table 1:

- Length ≤ 3000mm = ± 15mm
- Length 3000mm – 6000mm = ± 20mm
- Length > 6000mm = ± 30mm

Note:

By external influences, e.g. temperature and storage conditions,
dimensional deviations of up to 3% are possible.

Please select joint tape design on page 2





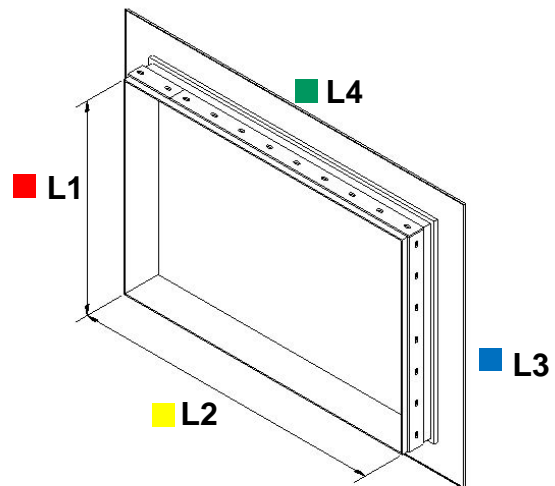
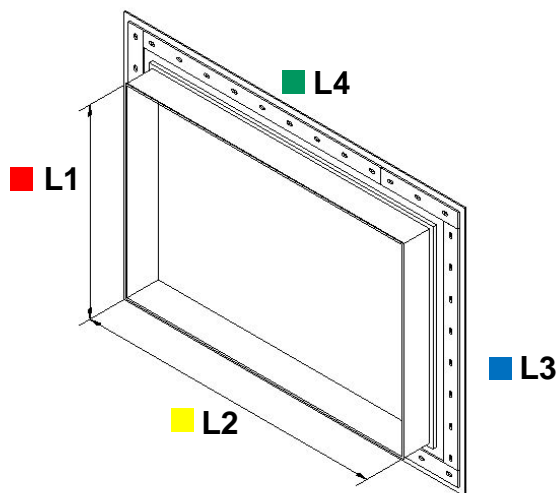
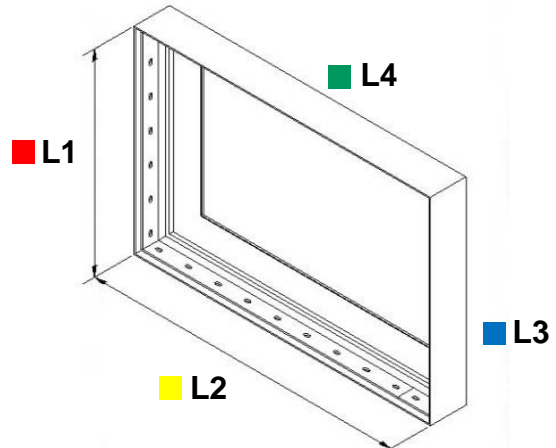
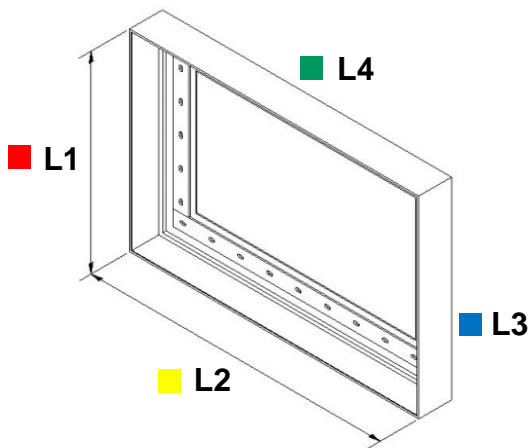
ORDER FORM

Completed by
H-BAU Technik (s.-no.)



KUNEX® flanged solution

BK32



Released by: _____ date: _____

