



Completed by  
H-BAU Technik (s.-no.)



# ORDER FORM

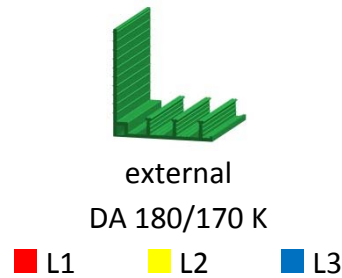
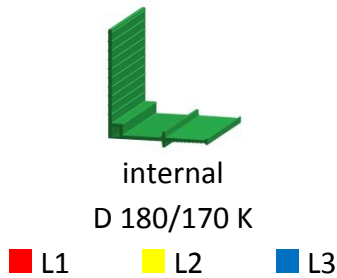
## KUNEX® flanged solution

**BK33**

Rev.00 from: 2017-08-25

Client:	Project:
Com.:	Element:

### Planged joint tape, according to DIN 18541-2



### Dimensions

- L1 = \_\_\_\_\_ mm  
*End specification:*    end stop  
   cover  
   none
- L2 = \_\_\_\_\_ mm
- L3 = \_\_\_\_\_ mm  
*End specification:*    end stop  
   cover  
   none

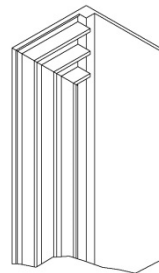
### Number

\_\_\_\_\_ pieces

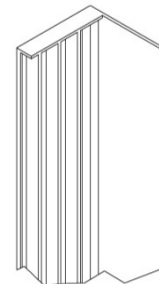
### Joint tape requirements

- bitumen-compatible (BV)
- not bitumen-compatible (NB)

*end stop*  
(Sample illustration)



*cover*  
(Sample illustration)



manufacturing tolerances according to  
DIN 16941 and DIN 18020 table 1:

- Length ≤ 3000mm = ± 15mm
- Length 3000mm – 6000mm = ± 20mm
- Length > 6000mm = ± 30mm

#### Note:

By external influences, e.g. temperature and storage conditions,  
dimensional deviations of up to 3% are possible.

**Please select joint tape design on page 2**





# ORDER FORM

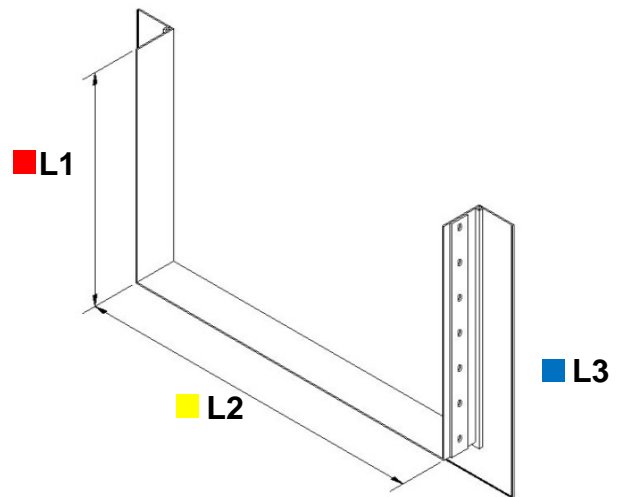
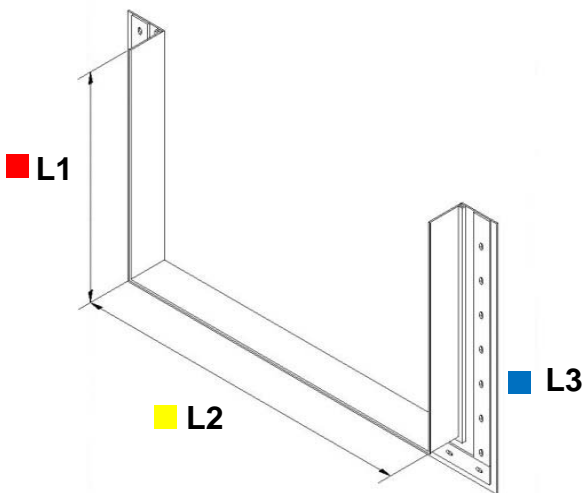
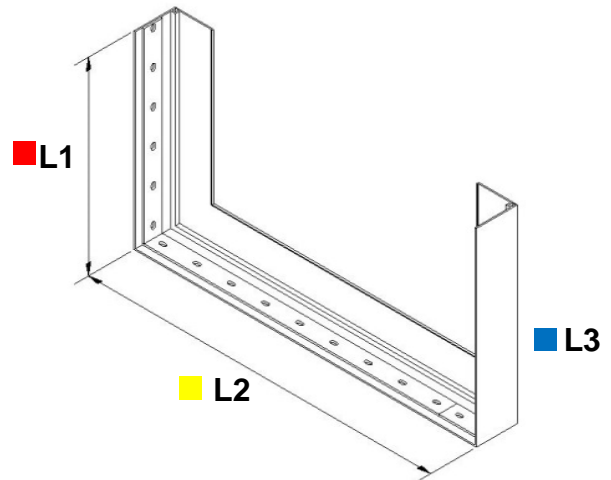
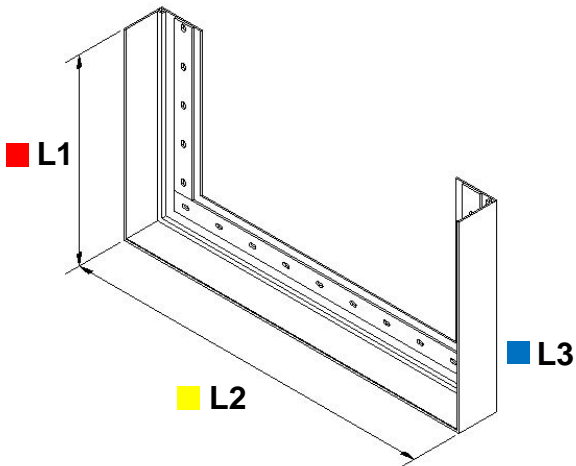
Completed by  
H-BAU Technik (s.-no.)

---



**KUNEX®** flanged solution

**BK33**



Released by: \_\_\_\_\_ date: \_\_\_\_\_

